

## Marine Water Heaters

Stainless steel water heaters with dual heating as standard - electrical heating and indirect heating based on a second heat source, for example based on the cooling system from the marine engine or generator set.

### AquaH – MARINE WATER HEATER

AquaH is an innovative series of AISI 316 stainless steel water heaters, with a storage capacity of 22 up to 80 litres (5.3 to 19.3 gal.). The heaters are cased in AISI 304 stainless steel and are provided with a sturdy compact plastic end cover which also includes the mounting brackets.

Electrical heating elements are available in Incoloy at 500W and 1200W allowing hot water production when engine heat is not available but when 230V is. Delivered with an adjustable safety thermostat for temperature adjustment while on electrical heating.



56-47456-01



56-47457-01



Part No.	Description
56-47455-01	AquaH Marine Water Heater 1200W / 22L BSP 230V
56-47455-03	AquaH Marine Water Heater 500W / 22L BSP 230V
56-47456-01	AquaH Marine Water Heater 1200W / 30L BSP 230V
56-47456-03	AquaH Marine Water Heater 500W / 30L BSP 230V
56-47457-01	AquaH Marine Water Heater 1200W / 45L BSP 230V
56-47457-03	AquaH Marine Water Heater 500W / 45L BSP 230V
56-47458-01	AquaH Marine Water Heater 1200W / 60L BSP 230V
56-47458-03	AquaH Marine Water Heater 500W / 60L BSP 230V
56-47459-01	AquaH Marine Water Heater 1200W / 80L BSP 230V
56-47459-03	AquaH Marine Water Heater 500W / 80L 230V

### Accessories

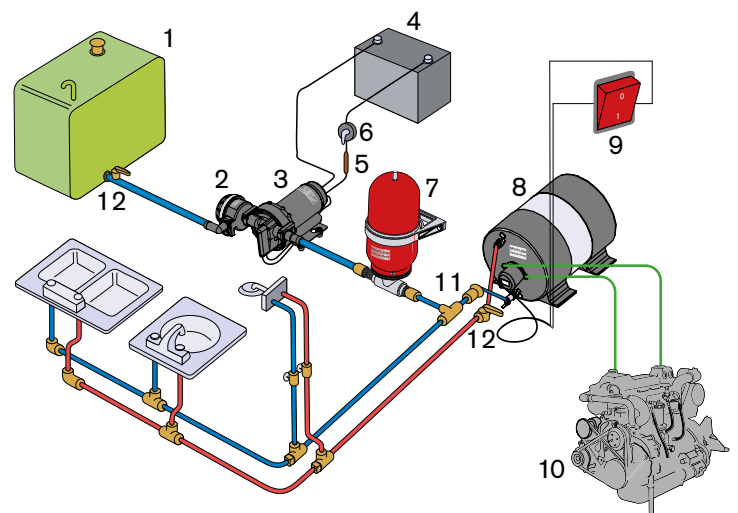
Part No.	Description
56-47464-01	AquaH Thermostat Water Mixer Kit 1/2" BSP

### Spare Parts

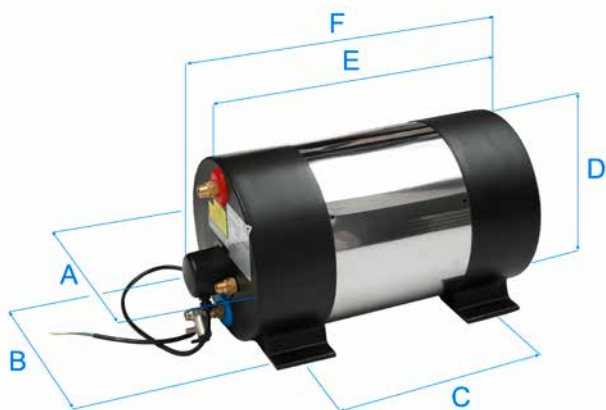
Part No.	Description
56-A.100-0086	AquaH Gasket
56-A.280-0014	AquaH Heater Element 500W 230V

## Typical Water Heater Application

1. Water Tank
2. PUMProtector Inlet Strainer
3. Aqua Jet Water Pressure System Pump
4. Battery
5. Fuse
6. Switch
7. Accumulator Tank
8. AquaH Water Heater
9. ON/OFF Bipolar Switch
10. Motor
11. Check Valve
12. Shut-off Valve



**AquaH - DIMENSIONS**



Part No.	Electrical supply w	Storage capacity lt (gallons)	Weight empty kg (lbs)	A mm	B mm	C mm	D mm	E mm	F mm
56-47455-01	1200	22 (5.81)	10 (22)	322 (12.7")	290 (11.4")	235 (9.25")	325 (12.8")	410 (16.1")	485 (19.1")
56-47455-03	500								
56-47456-01	1200	30 (7.93)	11,5 (25.4)	322 (12.7")	290 (11.4")	370 (14.6")	325 (12.8")	545 (21.5")	620 (24.4")
56-47456-03	500								
56-47457-01	1200	45 (11.9)	15 (33.1)	322 (12.7")	290 (11.4")	625 (24.6")	325 (12.8")	805 (31.7")	880 (34.6")
56-47457-03	500								
56-47458-01	1200	60 (15.9)	17,3 (38.1)	322 (12.7")	290 (11.4")	810 (31.9")	325 (12.8")	990 (39")	1065 (41.9")
56-47458-03	500								
56-47459-01	1200	80 (21.1)	20 (44.1)	322 (12.7")	290 (11.4")	1090 (42.9")	325 (12.8")	1270 (50")	1345 (53")
56-47459-03	500								

Electric supply 220-240 V ~ 50 Hz  
Water connections 1/2"

**AquaH - HEATING TIME**

**1200W**

Part No.	Electrical supply w	Storage capacity lt (gallons)	Water temperature in °C (°F)							
			20 (68)	25 (77)	30 (86)	35 (95)	40 (104)	45 (113)	50 (122)	55 (131)
56-47455-01	1200	22 (5.81)	6	12	19	25	31	38	44	51
56-47456-01	1200	30 (7.93)	8	17	26	34	43	52	61	69
56-47457-01	1200	45 (11.9)	13	26	39	52	65	78	91	104
56-47458-01	1200	60 (15.9)	17	34	52	69	87	104	122	139
56-47459-01	1200	80 (21.1)	23	46	69	93	116	139	162	186

Initial temperature 15°C  
Table shows time in minutes

**500W**

Part No.	Electrical supply w	Storage capacity lt (gallons)	Water temperature in °C (°F)							
			20 (68)	25 (77)	30 (86)	35 (95)	40 (104)	45 (113)	50 (122)	55 (131)
56-47455-03	500	22 (5.81)	15	30	46	61	76	92	107	122
56-47456-03	500	30 (7.93)	20	41	62	83	104	125	146	167
56-47457-03	500	45 (11.9)	31	62	94	125	156	188	219	251
56-47458-03	500	60 (15.9)	41	83	125	167	209	251	293	334
56-47459-03	500	80 (21.1)	55	111	167	223	279	334	390	446

Initial temperature 15°C  
Table shows time in minutes